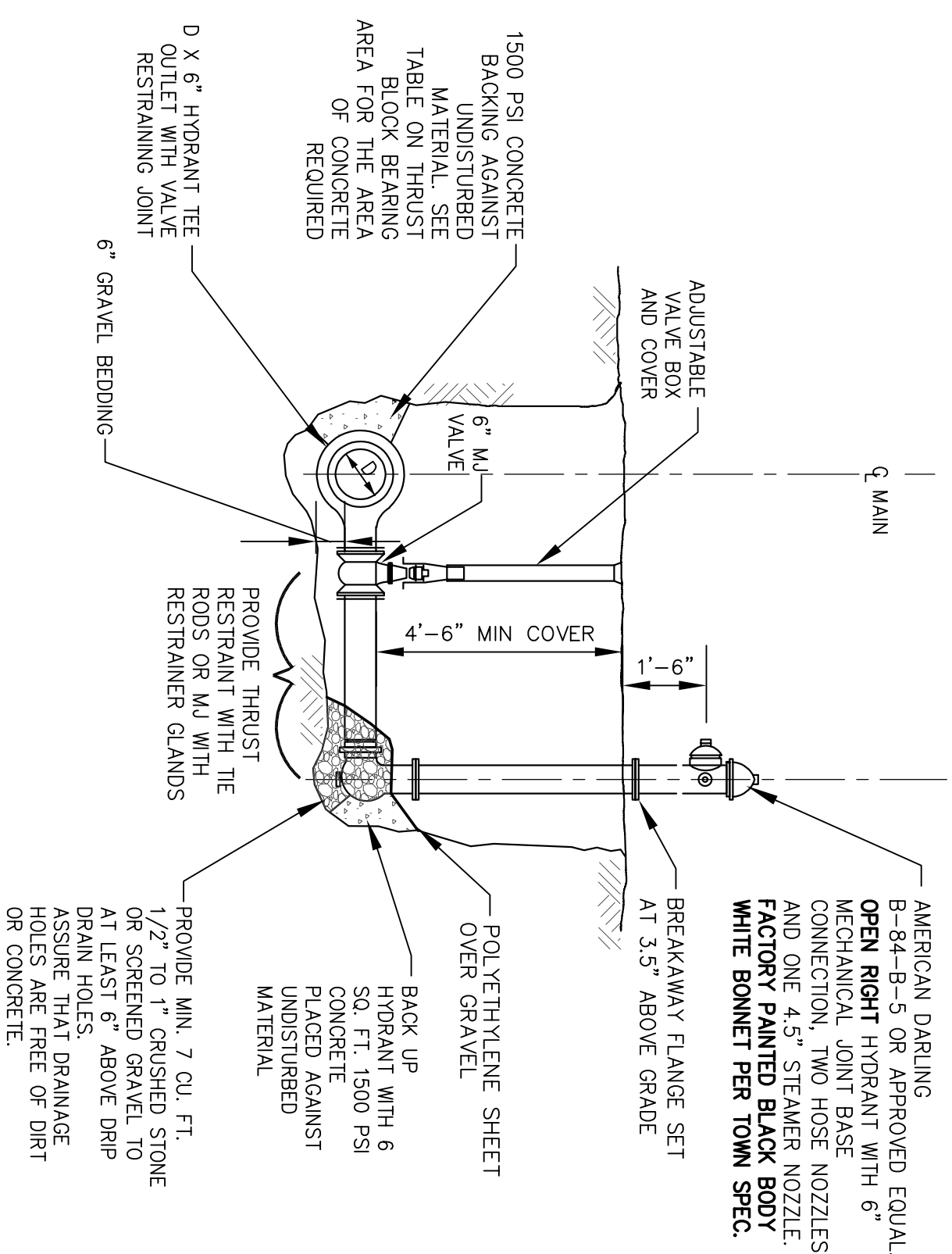


- NOTES:
1. A 10' HORIZONTAL SEPARATION MUST BE MAINTAINED FROM THE SEWER SERVICE UNLESS OTHERWISE AUTHORIZED BY THE ENGINEERING DIVISION.
 2. FOR SERVICE RENEWALS, TUBING SHALL BE REPLACED TO THE PROPERTY LINE UNLESS OTHERWISE AUTHORIZED BY THE ENGINEERING DIVISION. THE OLD SERVICE SHALL BE OPENED AT THE CORPORATION.
 3. WHERE AN EXISTING SERVICE IS BEING REPLACED TO THE MAIN, THE OLD TUBING SHALL BE OPENED AT THE CORPORATION.
 4. SERVICE ARE ENCOURAGED TO BE REPLACED WITH LEAD OR STEEL AND ARE SUBJECT TO APPROVAL BY CONTRACTOR OR SUBCONTRACTOR.
 5. SERVICE TAPS GREATER THAN 1" REQUIRE A SADDLE AND ARE SUBJECT TO THE APPROVAL OF THE ENGINEERING DIVISION.
 6. USE QUICK STYLE COMPRESSION CONNECTIONS FOR ALL SERVICE BRASS ADAPTERS FOR NEW ENGLAND STYLE THREADS.
 7. FOR 1" CONNECTIONS TO EXIST, 3/4" CURB STOP CONNECT ADAPTER DIRECTLY TO CURB STOP. MOST EXISTING CURB STOPS REQUIRE 3/4" X 1" FEMALE ADAPTERS FOR NEW ENGLAND STYLE THREADS.
 8. ALL CONNECTIONS TO EXIST, CURB STOPS SHALL REPLACE SERVICE BOXES IF NOT BUREAU STYLE.
 9. NOT BUREAU STYLE, INCLUDE A BALL VALVE WITH COMPRESSION FITTING JUST BEFORE METER.

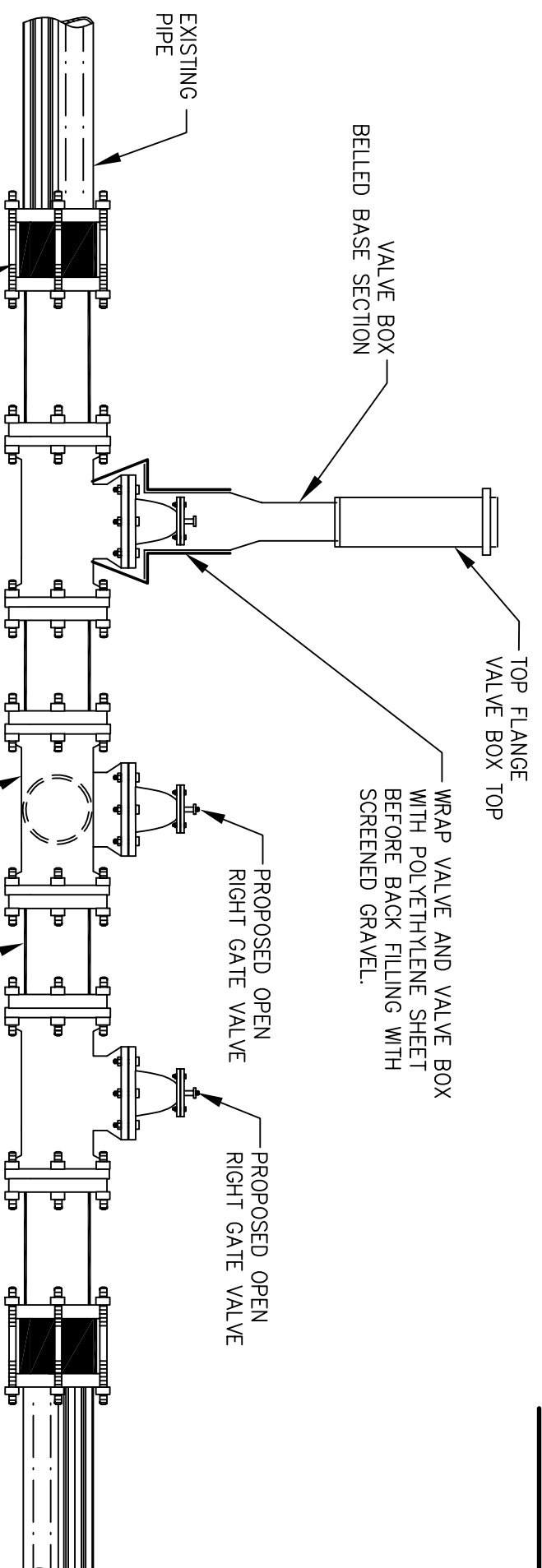
WATER SERVICE CONNECTION (1" MIN TO 2" MAX)

N.T.S.



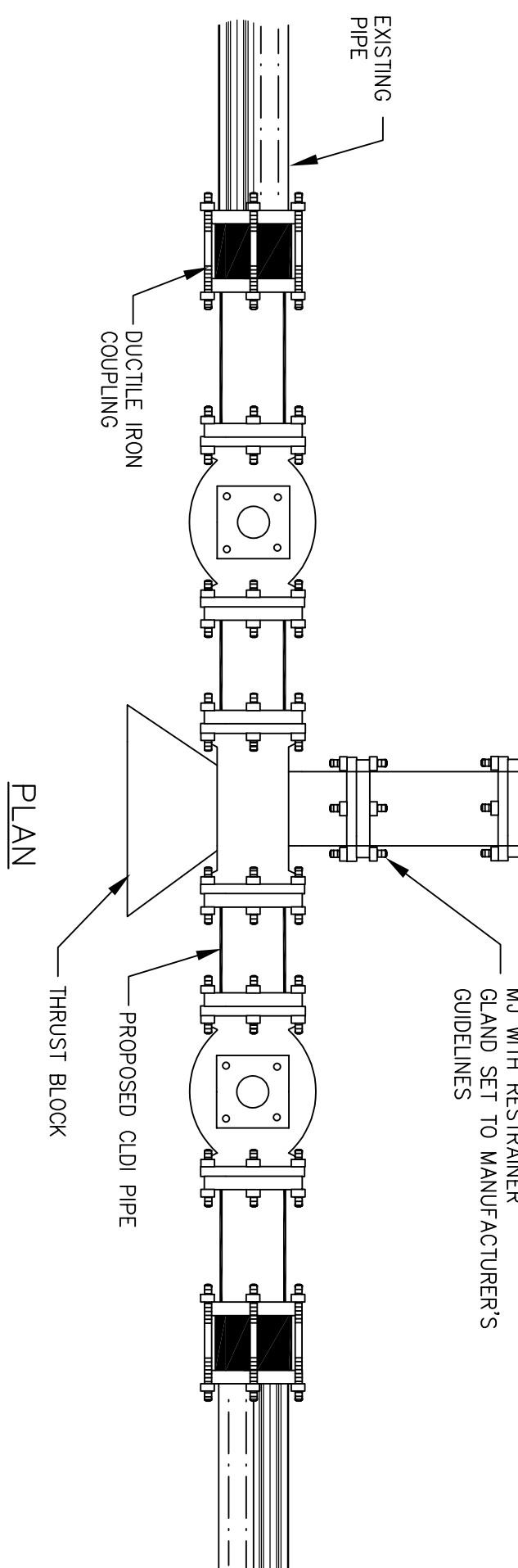
TYPICAL HYDRANT ASSEMBLY WITH DRAIN

N.T.S.



ELEVATION

NOTE: GATE VALVES TO BE M.U. RESILIENT WEDGE, DUCTILE IRON, OPEN RIGHT MEETING AWWA C-509, C-153, C-509 & C-550

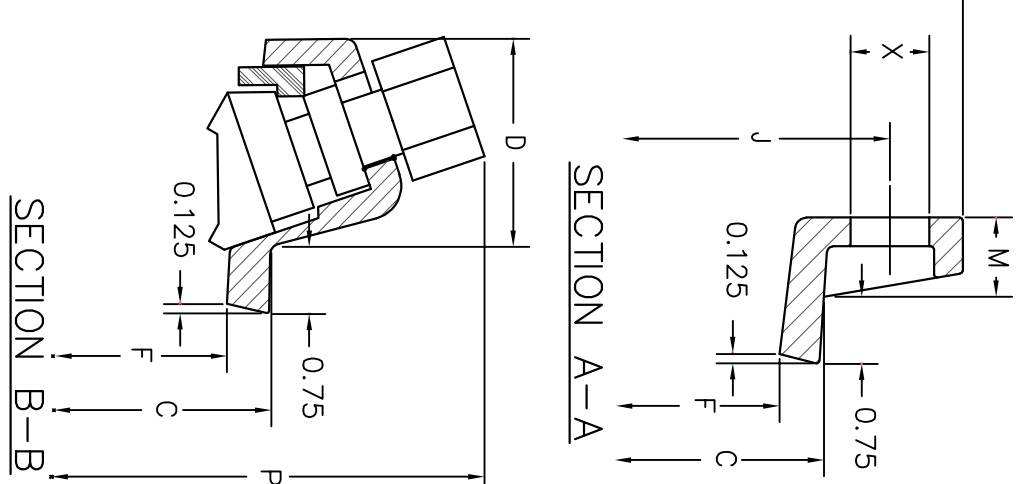
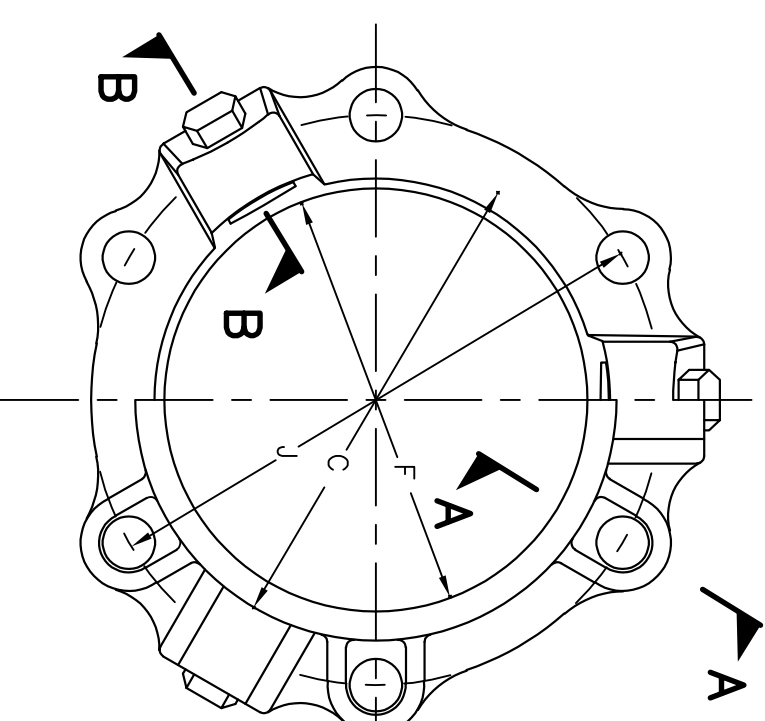


TRIPLE GATE CUT IN WATER MAIN CONNECTION

N.T.S.

NOTES:

1. SIZES 3" THROUGH 24" ARE LISTED BY UNDERWRITERS' LABORATORIES, INC. CATEGORY HUKF FOR USE ON DUCTILE IRON PIPE. THE LISTING FILE NUMBER IS EX2836.
2. SIZES 3" THROUGH 12" ARE FACTORY MUTUAL APPROVED.
3. GLAND AND COLLAR BOLTS ARE MADE OF DUCTILE IRON CONFORMING TO ASTM A536-80. WEDGES ARE MADE OF DUCTILE IRON HEAT TREATED TO A MINIMUM BRINELL HARDNESS OF 370.
4. GLAND CONFORMS TO THE APPLICABLE REQUIREMENTS OF ANSI/AWWA A21.11/0111 AND ANSI/AWWA C153/A21.53 OF THE LATEST REVISION.
5. FOR LAST INSPECTION OF THE TRENCH PRESSES SHOWN, CONSULT THE ENGINEERING DEPARTMENT OF THE TOWN OF LEXINGTON. SEAL GASKETS ARE PROVIDED WITH THE 50' THROUGH 48" MEGALUGS. ALSO PROVIDED WITH THE 42" AND 48" SIZES ARE EXTRA LENGTH 1"-80 LBS. THE GASKETS AND BOLTS ARE PROVIDED TO FACILITATE EASIER ASSEMBLY OF THE MECHANICAL JOINT AND ARE REQUIRED ON THE ABOVE REFERENCED SIZES TO OBTAIN THE LISTED PRESSURE RATINGS WITH A 2:1 SAFETY FACTOR.



SECTION B-B

SERIES	PRESSURE RATING	C	D	F	J	M	X	NO. OF NO. OF WEDGES BOLTS	P (W/ MITS)	K2
1103	350	4.84	2.27	4.06	6.19	0.62	3/4	4	9.36	9.06
1104	350	3.92	2.27	7.00	6.50	0.68	7/8	4	10.20	9.22
1106	350	10.17	2.31	11.20	11.75	1.00	7/8	4	14.45	11.17
1108	350	12.22	2.37	14.00	14.00	1.00	7/8	4	16.50	13.37
1110	350	14.32	2.37	16.25	16.25	1.25	7/8	8	18.60	15.62
1112	350	16.40	2.69	18.75	18.75	1.50	7/8	10	20.64	17.88
1114	350	18.50	2.69	21.00	21.00	1.50	7/8	12	22.60	20.25
1116	350	20.60	2.69	23.25	23.25	1.50	7/8	12	24.70	22.50
1118	350	22.68	2.69	25.50	25.50	1.50	7/8	12	26.80	24.75
1120	350	24.76	2.69	27.75	27.75	1.50	7/8	12	28.90	27.00
1122	350	26.90	3.20	32.17	32.17	1.81	7/8	16	32.94	30.00
1124	350	29.04	3.20	36.88	36.88	2.25	1 1/8	20	39.17	38.87
1130	350	33.29	3.20	38.47	43.75	2.25	1 1/8	24	45.47	45.17
1136	350	39.59	3.20	44.67	50.62	2.25	1 3/8	28	55.87	55.57
1142	350	45.79	4.56	50.97	57.50	3.88	1 3/8	32	62.17	61.87
1148	350	52.09	4.56	50.97	57.50	3.88	1 3/8	32	62.17	60.36

MEGALUG DETAIL

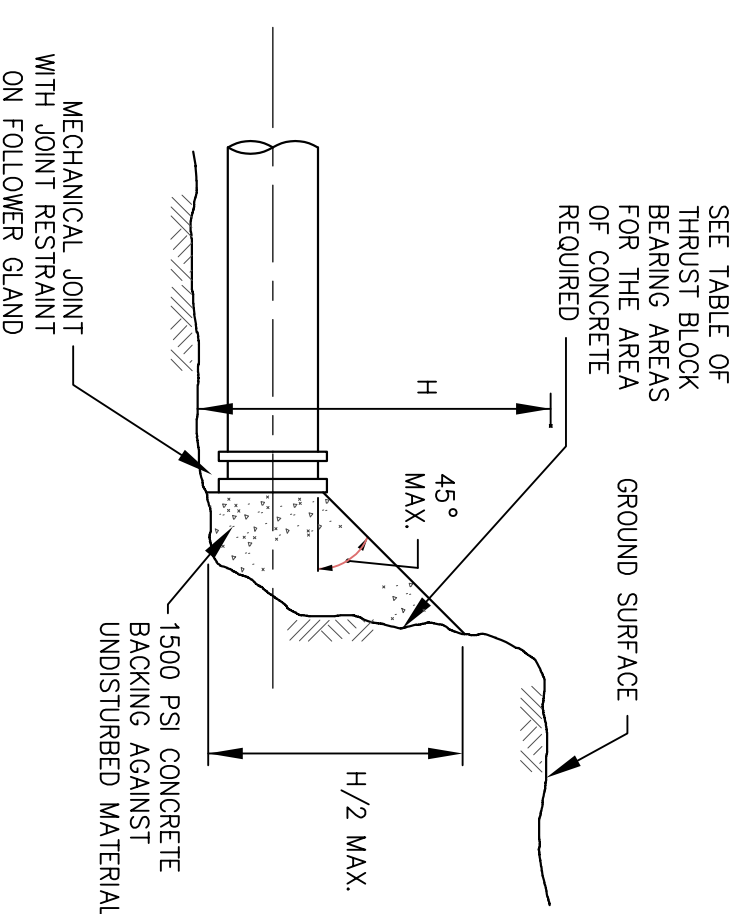
N.T.S.

BEARING AREA FOR VARIOUS DIAMETERS	4"	6"	8"	10"	12"	16"
FITTING	2 S.F.	2 S.F.	2 S.F.	3 S.F.	3 S.F.	5 S.F.
1/32 BEND (11 1/4")	2 S.F.	2 S.F.	2 S.F.	3 S.F.	3 S.F.	5 S.F.
1/16 BEND (22 1/2")	2 S.F.	2 S.F.	3 S.F.	3 S.F.	4 S.F.	5 S.F.
1/8 BEND (45")	2 S.F.	2 S.F.	3 S.F.	5 S.F.	7 S.F.	12 S.F.
1/4 BEND (90")	3 S.F.	3 S.F.	6 S.F.	9 S.F.	12 S.F.	21 S.F.
TEE/PLUG	2 S.F.	3 S.F.	4 S.F.	6 S.F.	9 S.F.	16 S.F.

- NOTES:
1. ALL ELBOWS, BENDS, AND CAPS SHALL BE BRACED WITH CONCRETE THRUST BLOCKS. JOINTS SHALL NOT BE ENCASED IN CONCRETE.
 2. BEARING AREA IS AREA OF CONCRETE IN CONTACT WITH WALL OF TRENCH (H X L).
 3. HEIGHT AND LENGTH AS REQUIRED TO OBTAIN BEARING AREA SHOWN IN THE TABLE W/ H APPROX. 1/2 L.
 4. THRUST BLOCK SIZING BASED ON 150 PSI WATER PRESSURE AND 2000 PSI SOIL BEARING CAPACITY.

THRUST RESTRAINT AT PLUG

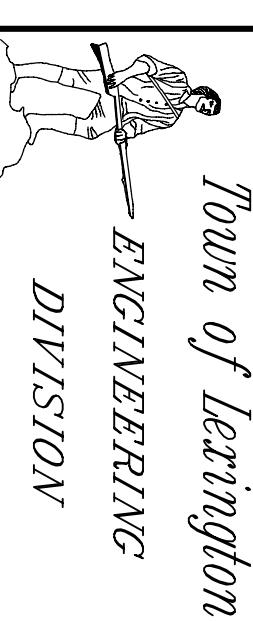
N.T.S.



TOWN OF LEXINGTON STANDARD DETAILS WATER

DATE	REVISION	BY
9/25/17	1	MW
3/11/22	2	MW

DRAWN BY: C.O. DATE: MARCH 2016 SCALE: AS NOTED
 DESIGNED BY: D.C. CHECKED BY:
 APPROVED BY: SHEET NO. 1 OF 1



Town of Lexington
ENGINEERING
DIVISION