

4'-0\"/>

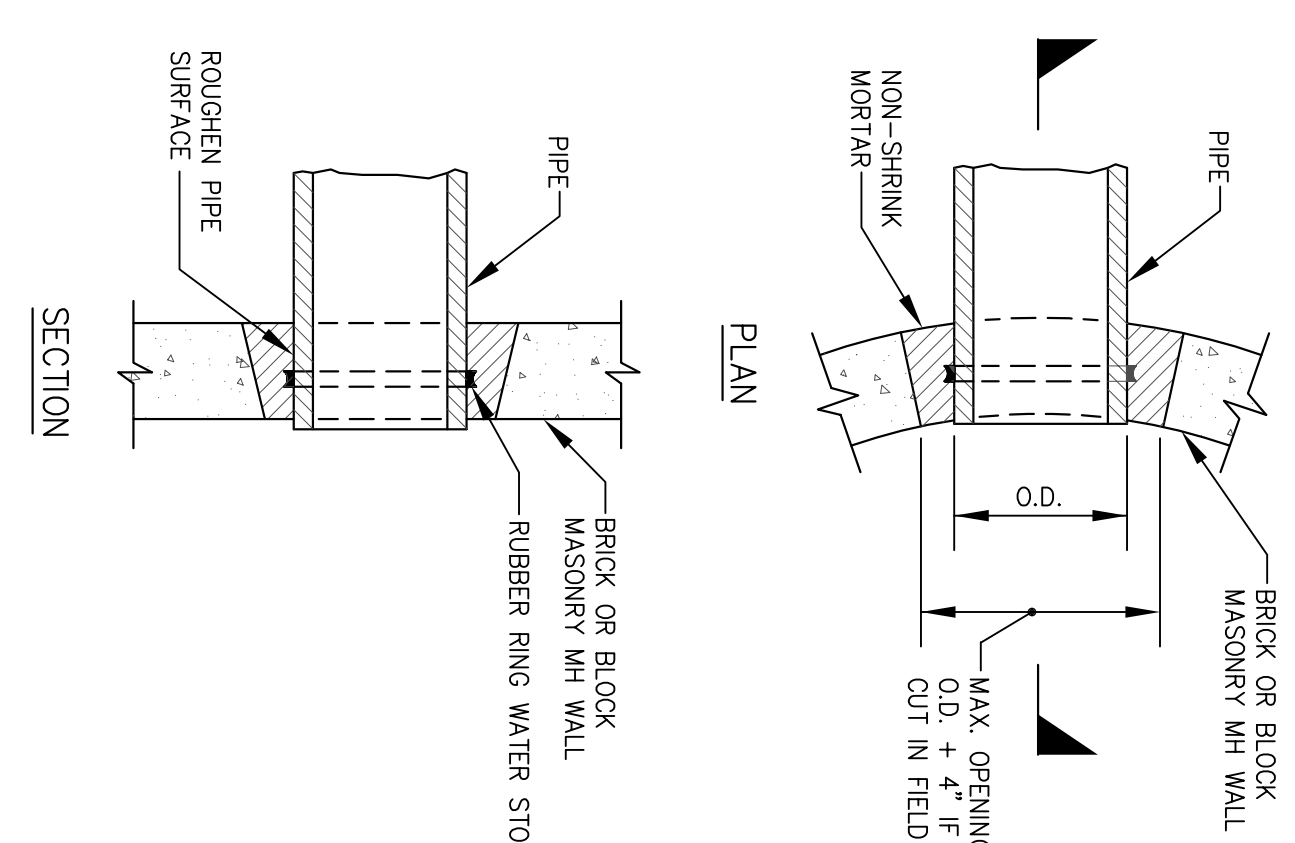
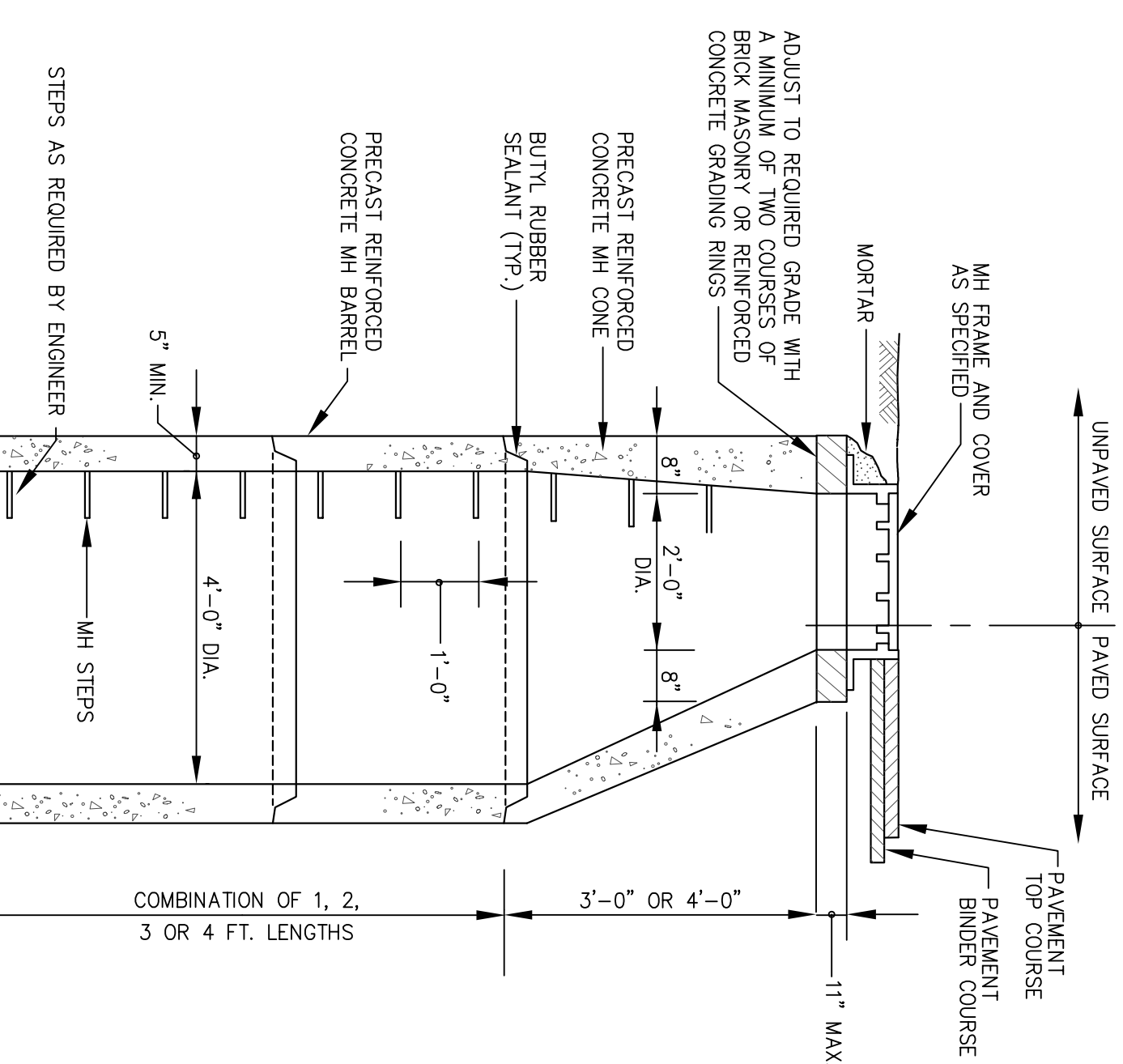
NOT TO SCALE
2-1.5.14 (REV. 03-15-95)

**MANHOLE RISER WITH
ECCENTRIC CONE TOP**

NOT TO SCALE
2-1.5.41 (REV. 03-15-95)

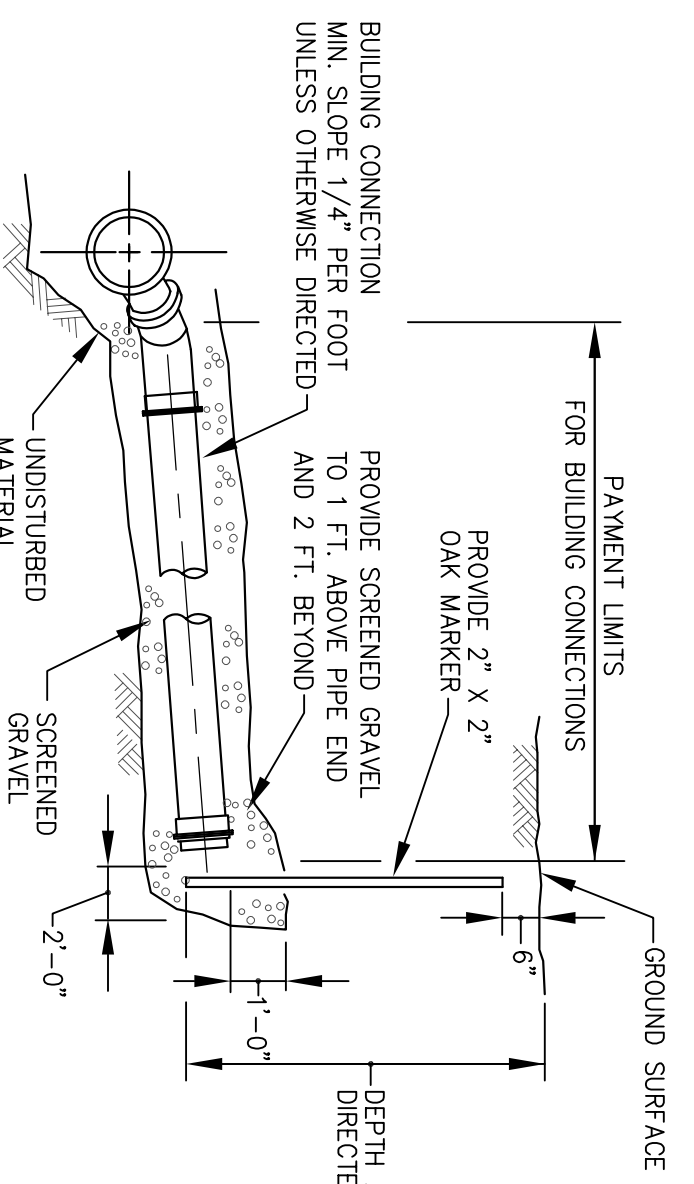
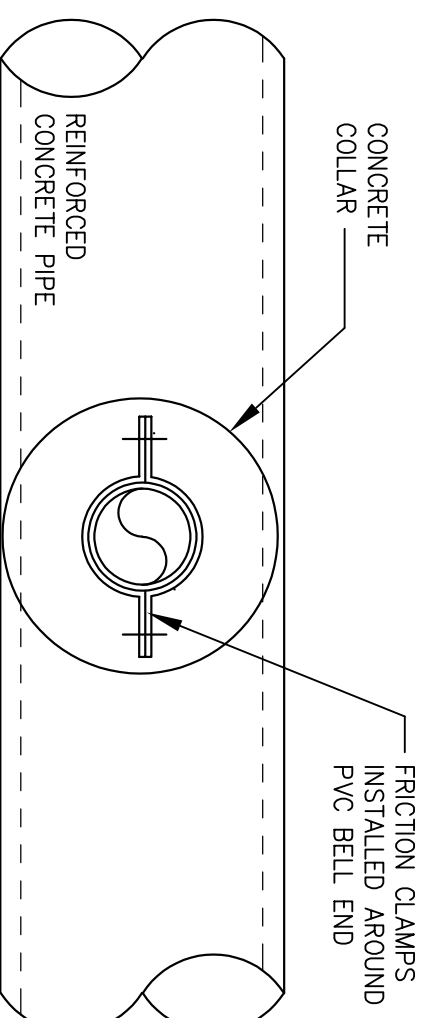
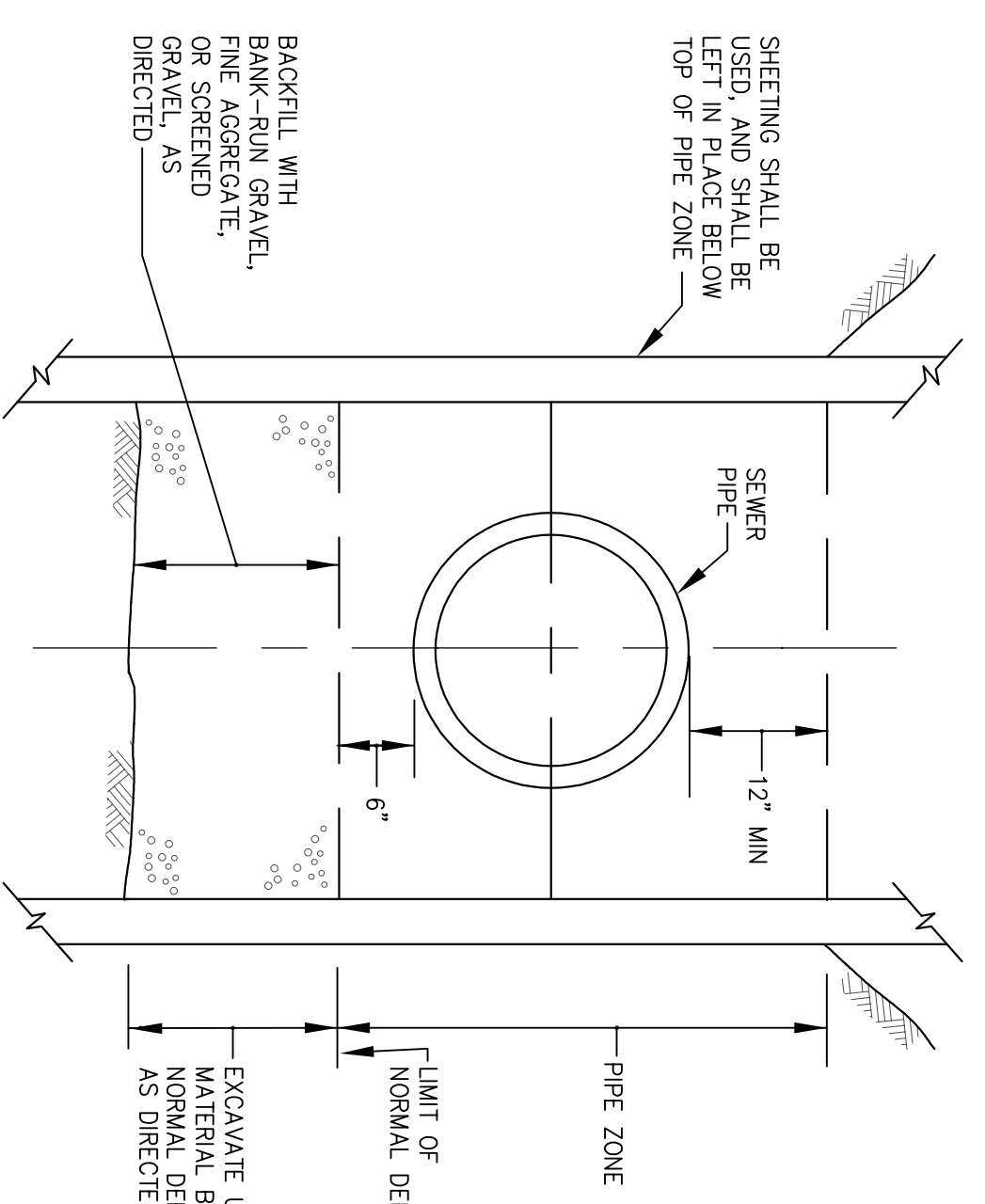
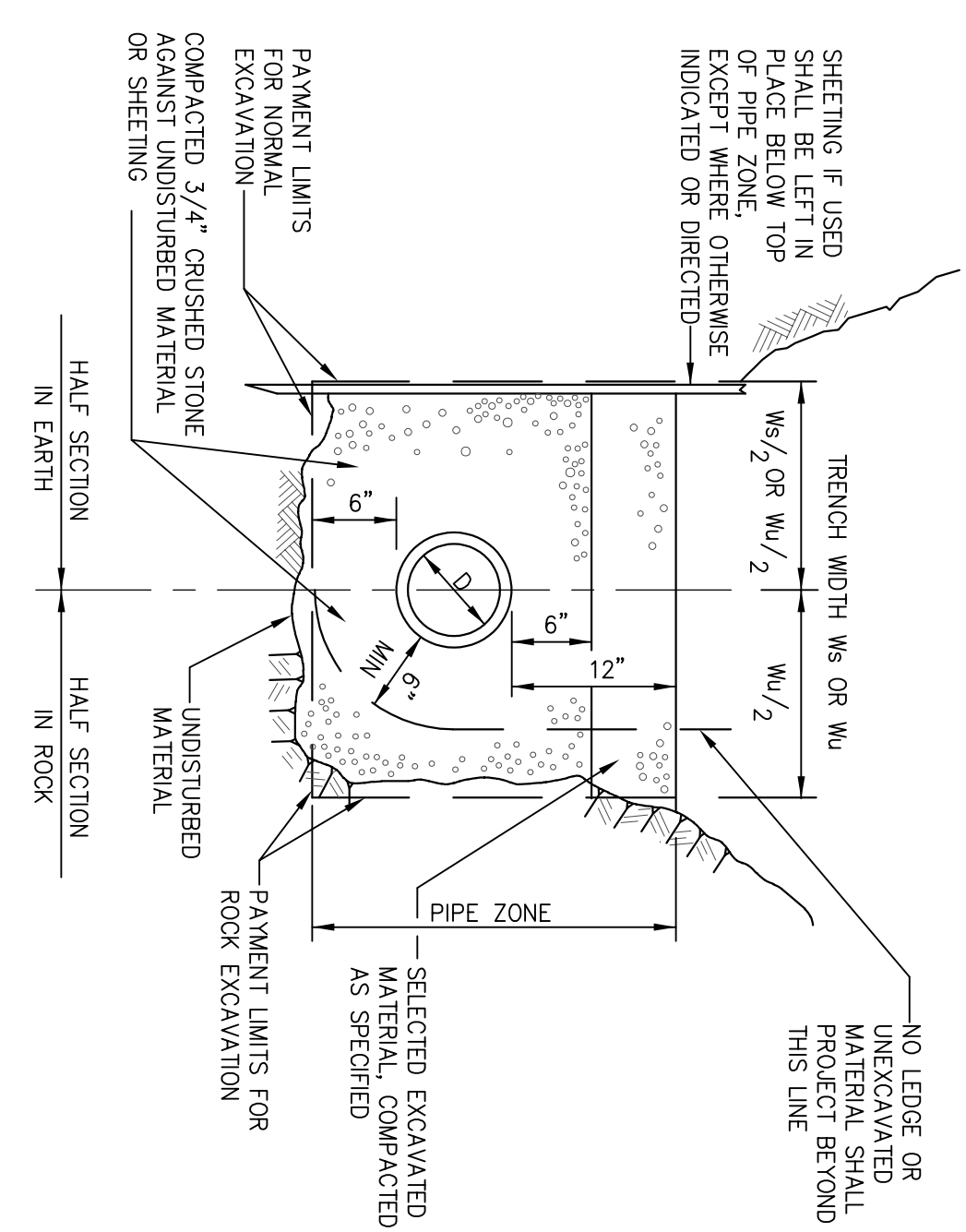
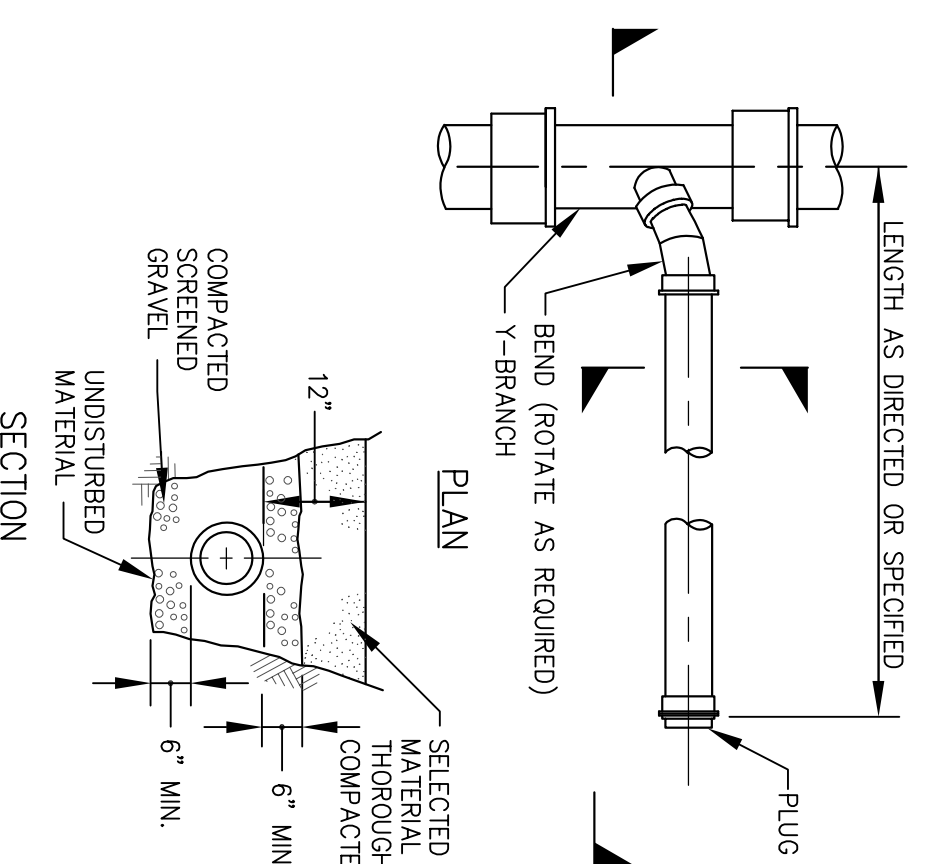
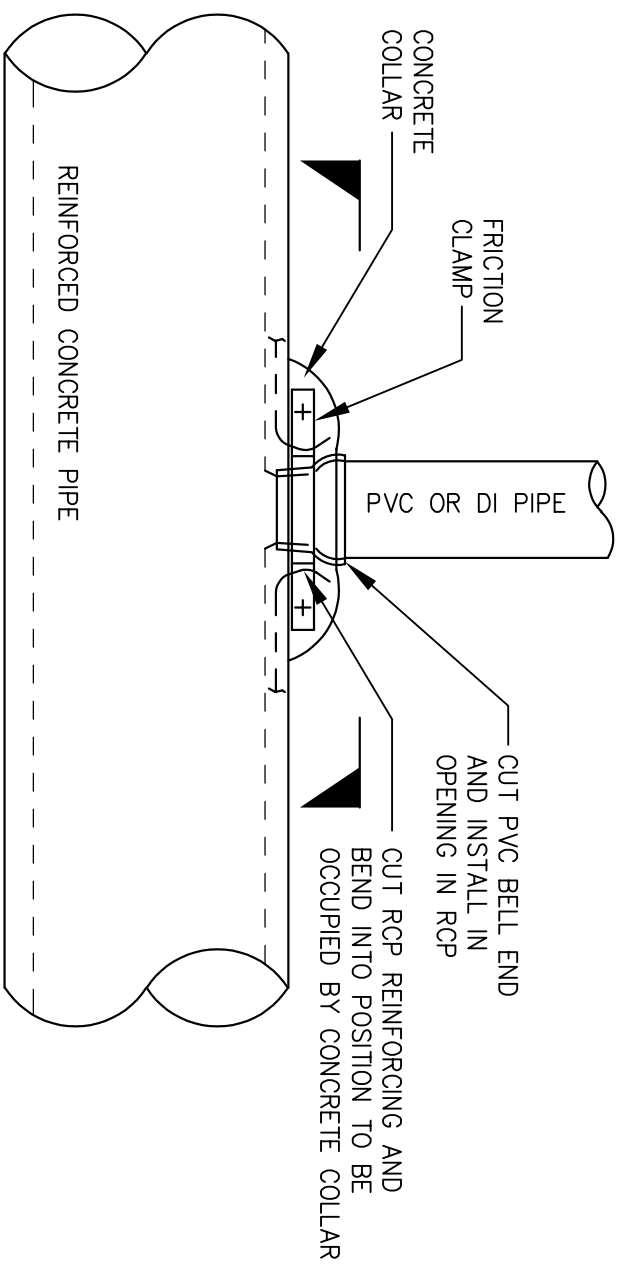
**NON-SHRINK MORTAR JOINTS
FOR CONNECTING PIPES TO
BRICK OR BLOCK MASONRY MANHOLES**

NOT TO SCALE
2-1.5.52 (REV. 4-5-96)



**CAST-IN-PLACE CONCRETE BASE
FOR PVC SEWERS**

NOT TO SCALE
2-1.5.4 (REV. 03-15-95)



1. PIPE TRENCHES MAY BE EXCAVATED WIDER THAN TRENCH WIDTH W_s (SHEETED) OR W_u (UNSHEETED) ABOVE THE TOP OF PIPE ZONE.
2. TRENCHES SHALL NOT BE EXCAVATED BEYOND THE TRENCH WIDTH W_s BELOW THE TOP OF PIPE ZONE.
3. SHEETING MUST BE USED IF EXCAVATION AND BACKFILL, BELOW NORMAL DEPTH, IS REQUIRED. SHEETING SHALL BE LEFT IN PLACE BELOW A LINE 1'-0" ABOVE THE TOP OF PIPE.
4. ALL ROCK WITHIN 3'-0" HORIZONTALLY OF THE ENDS OF BUILDING CONNECTIONS, BRANCHES OR STUBS AND DOWN TO A HORIZONTAL PLANE 6" BELOW THE BOTTOMS OF SUCH CONNECTIONS, BRANCHES OR STUBS, SHALL BE EXCAVATED.

| TRENCH WIDTH W _s OR W _u | |
|---|---|
| NOMINAL PIPE DIAMETER | DEPTH OF PIPE INVERT BELOW GROUND SURFACE |
| 24" AND SMALLER | 0 TO 12" |
| OVER 24" | 12 TO 20" |
| | 20 TO 24" |
| | 24 TO 30" |
| | 30 TO 36" |
| | 36 TO 42" |
| | 42 TO 48" |
| | 48 TO 54" |
| | 54 TO 60" |

TRENCH SECTION FOR PVC PIPE

TRENCH SECTION IN UNSUITABLE MATERIAL

NOT TO SCALE
2-1.1.21 (REV. 03-15-95)

T-BRANCH FOR BUILDING OR CHIMNEY CONNECTION IN RC PIPE (PVC OR DI PIPE BRANCH)

NOT TO SCALE
2-1.2.15 (REV. 08-17-95)

BUILDING CONNECTION FOR DI OR PVC PIPE

NOT TO SCALE
2-1.2.17 (REV. 03-15-95)

TRENCH SECTION FOR PVC PIPE

| DATE | REVISION | BY |
|---------|----------|----|
| 3/11/22 | 1 | AM |

Town of Lexington
ENGINEERING DIVISION

**TOWN OF LEXINGTON
STANDARD DETAILS
SEWER II**

| | | |
|-------------------|------------------|-----------------|
| DESIGNED BY: D.C. | DATE: MARCH 2015 | SCALE: AS NOTED |
| CHECKED BY: | | |
| APPROVED BY: | | |

SHEET NO. 2 OF 2