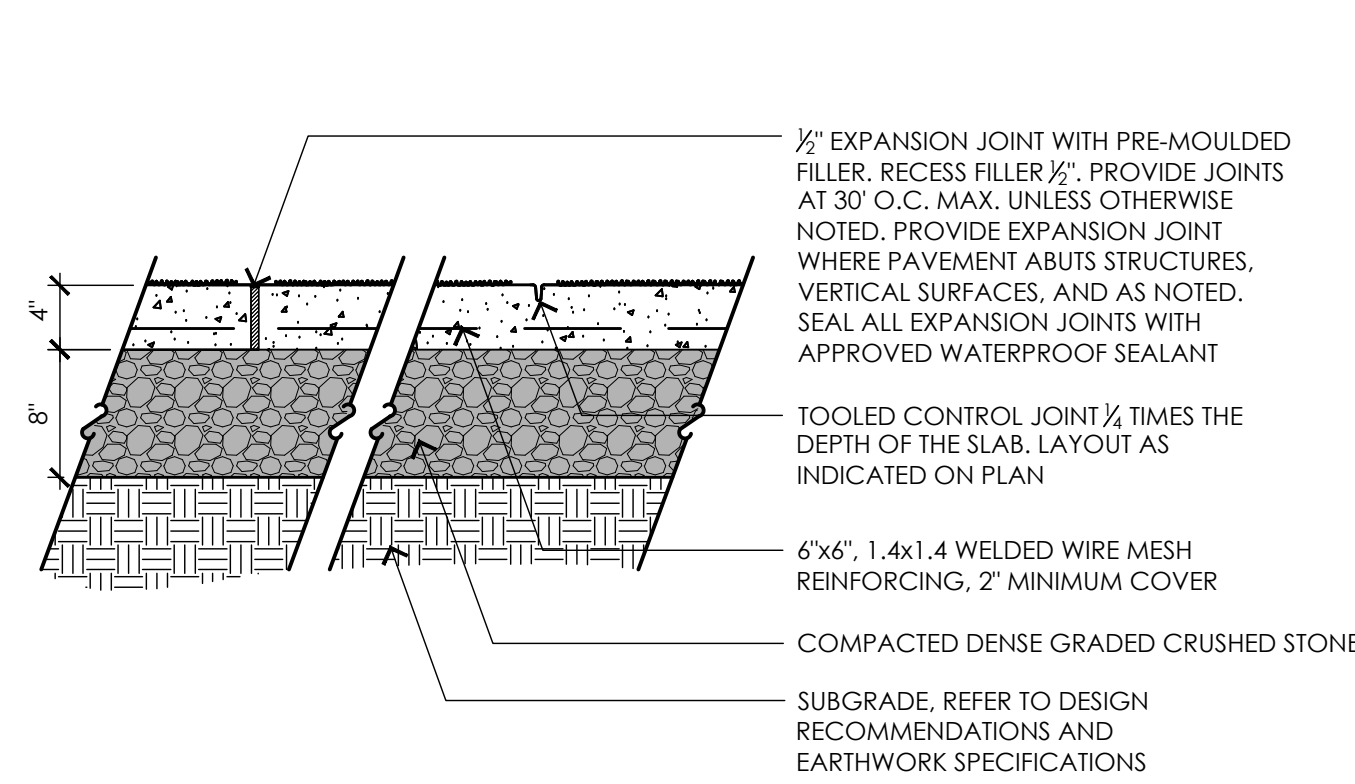
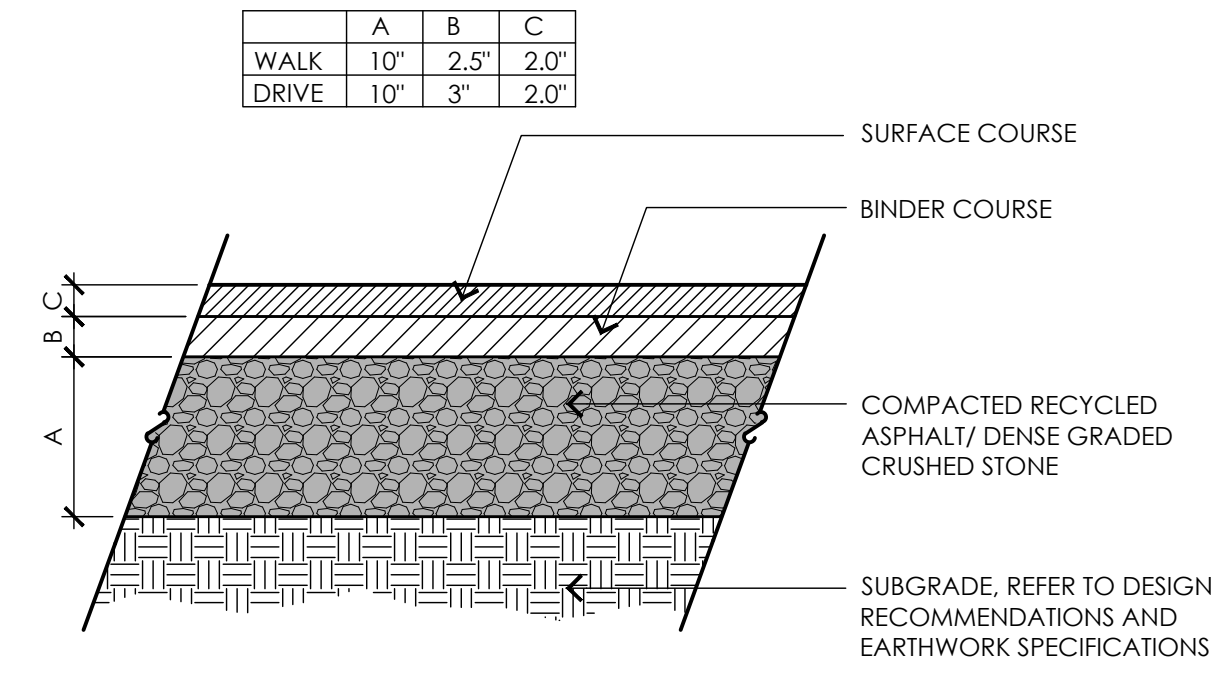


NOTE:

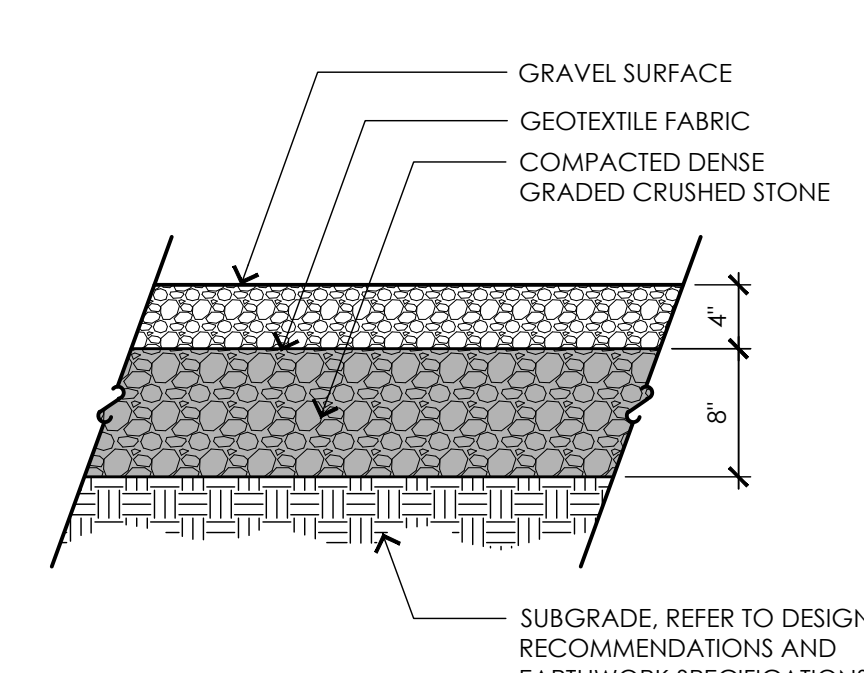
1. PROVIDE LIGHT BROOM FINISH PERPENDICULAR TO FLOW OF TRAFFIC



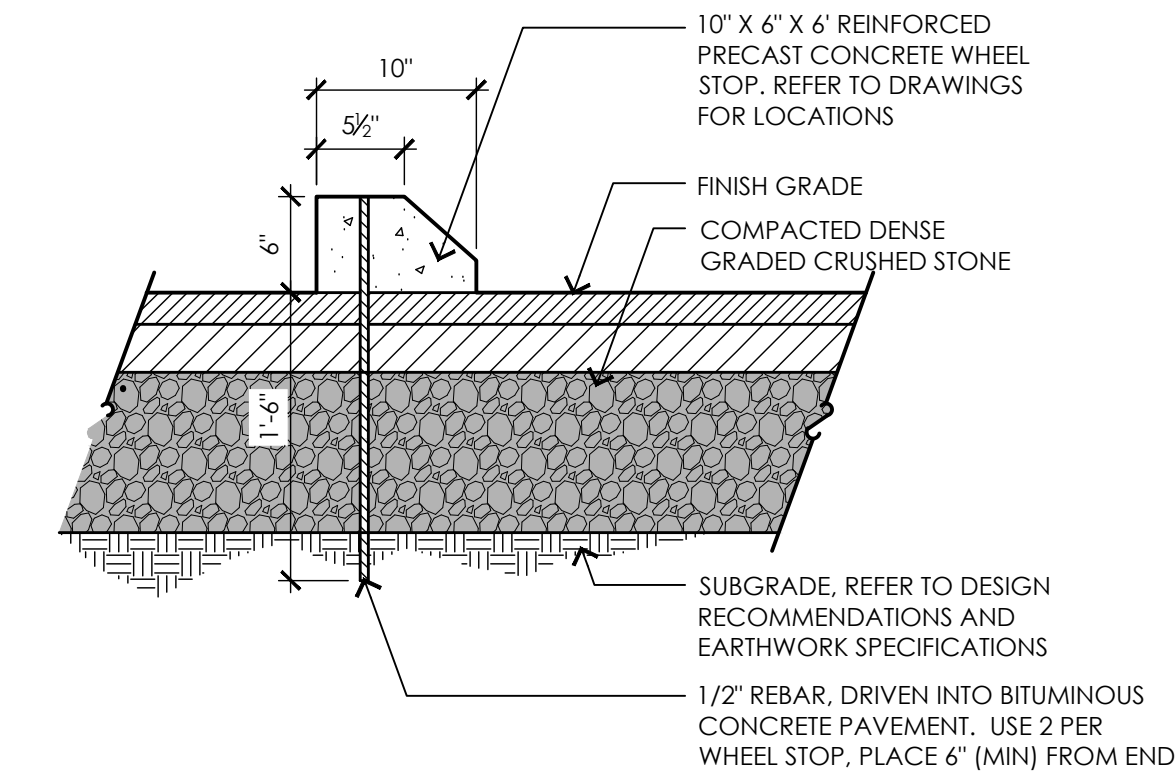
1 CEMENT CONCRETE PAVEMENT
NOT TO SCALE



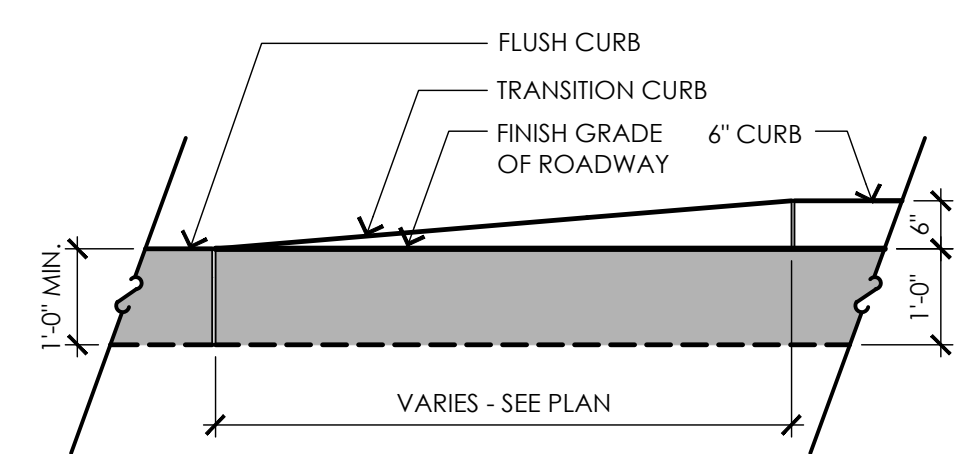
2 BITUMINOUS CONCRETE PAVEMENT
NOT TO SCALE



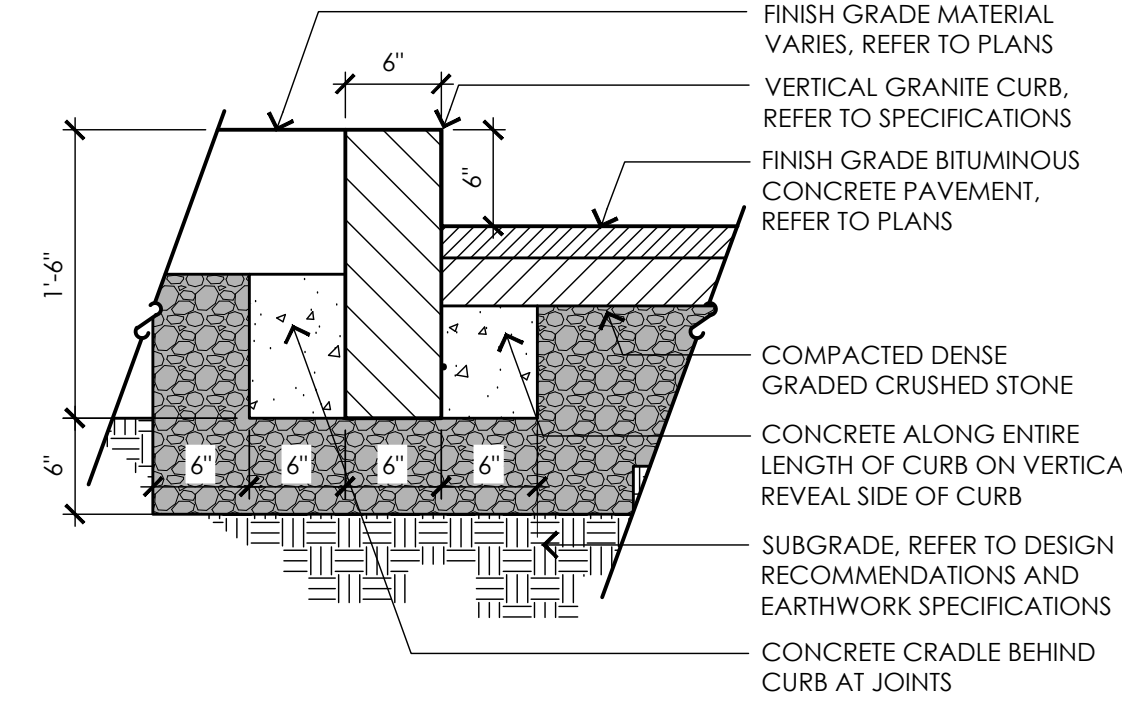
3 GRAVEL PAVING
NOT TO SCALE



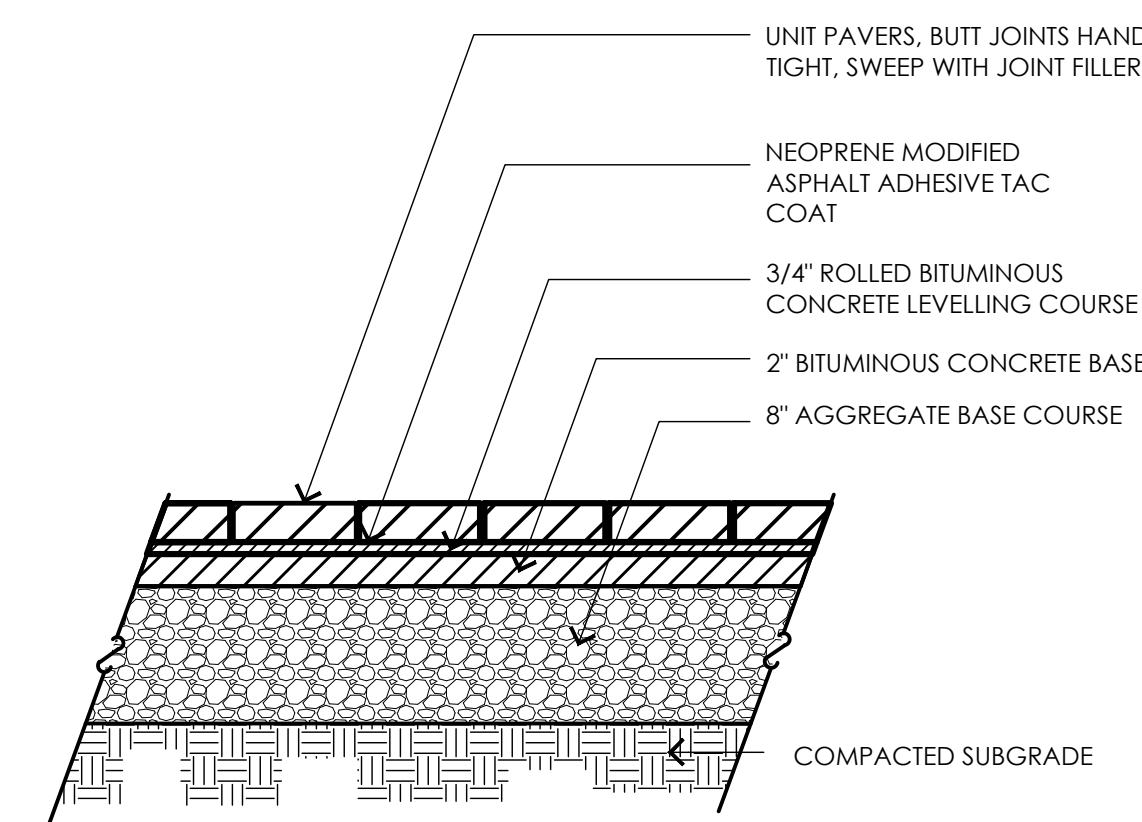
4 PRECAST CONCRETE WHEEL STOP
NOT TO SCALE



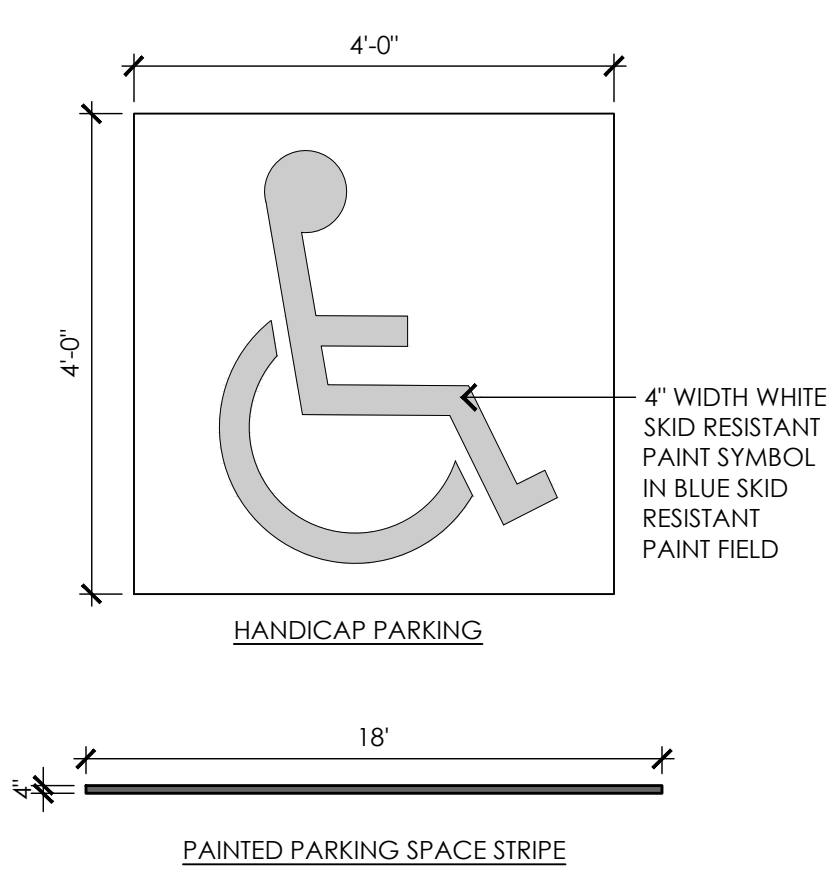
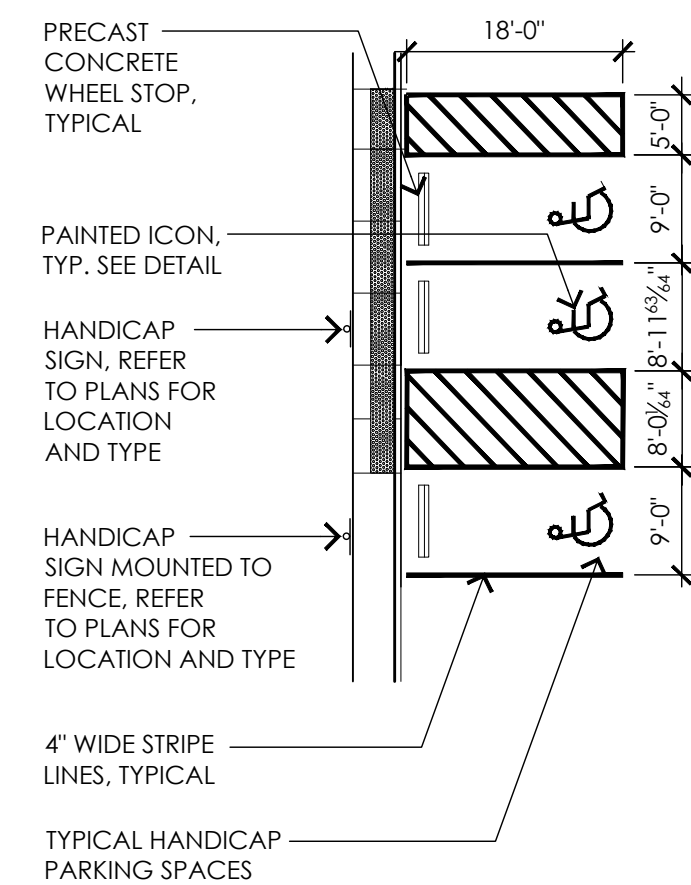
5 TRANSITION GRANITE CURB
NOT TO SCALE



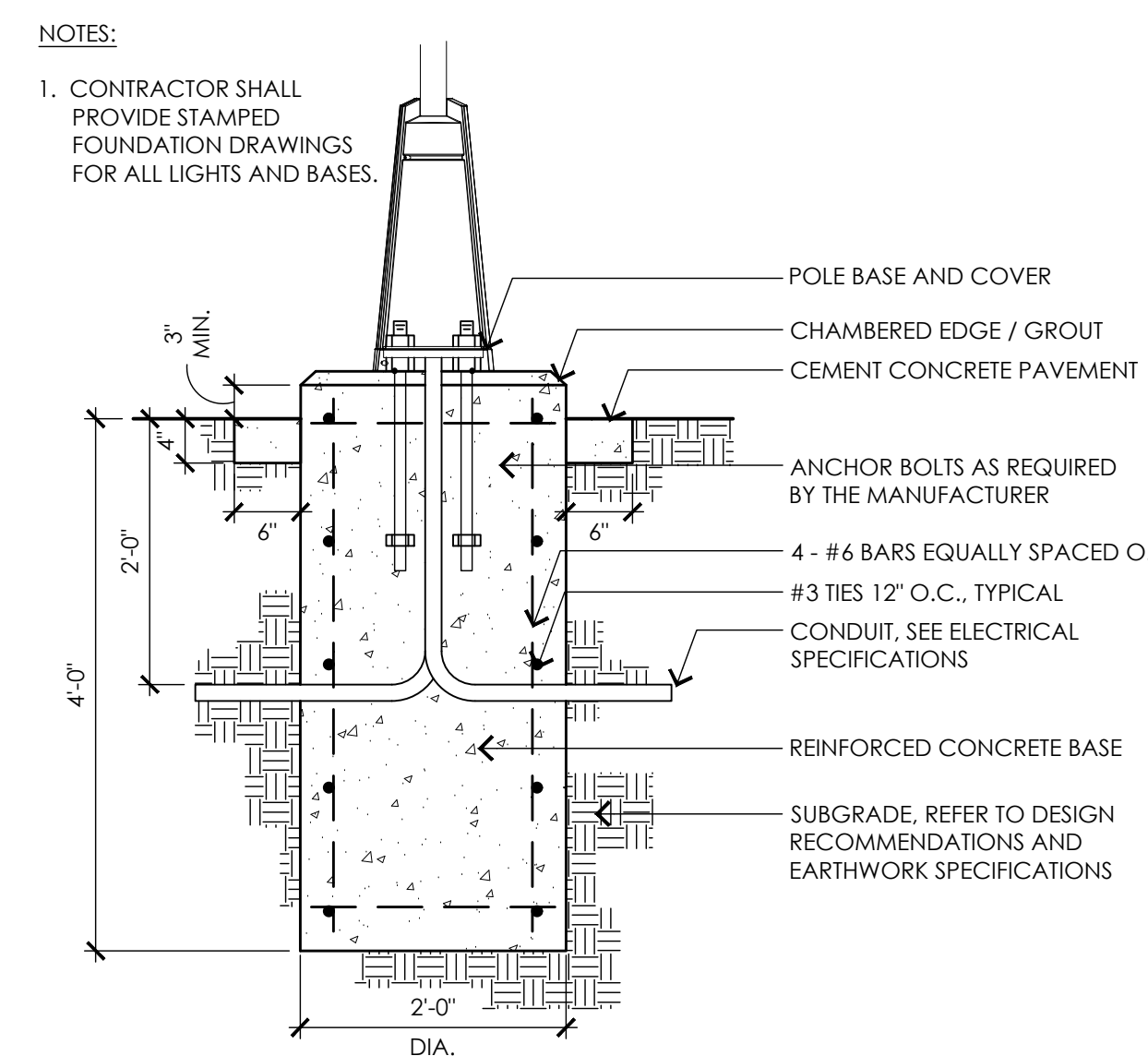
6 VERTICAL GRANITE CURB
NOT TO SCALE



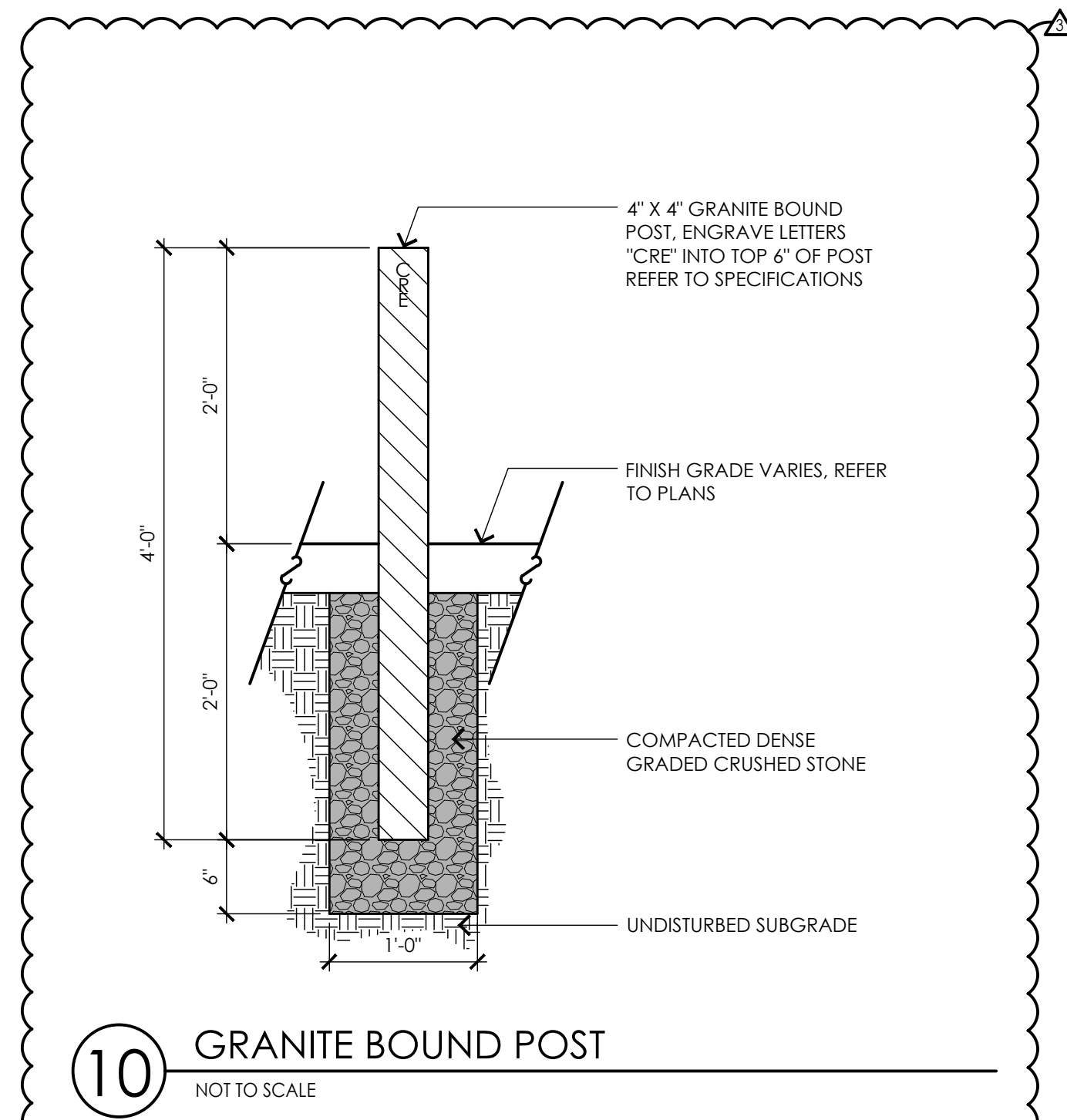
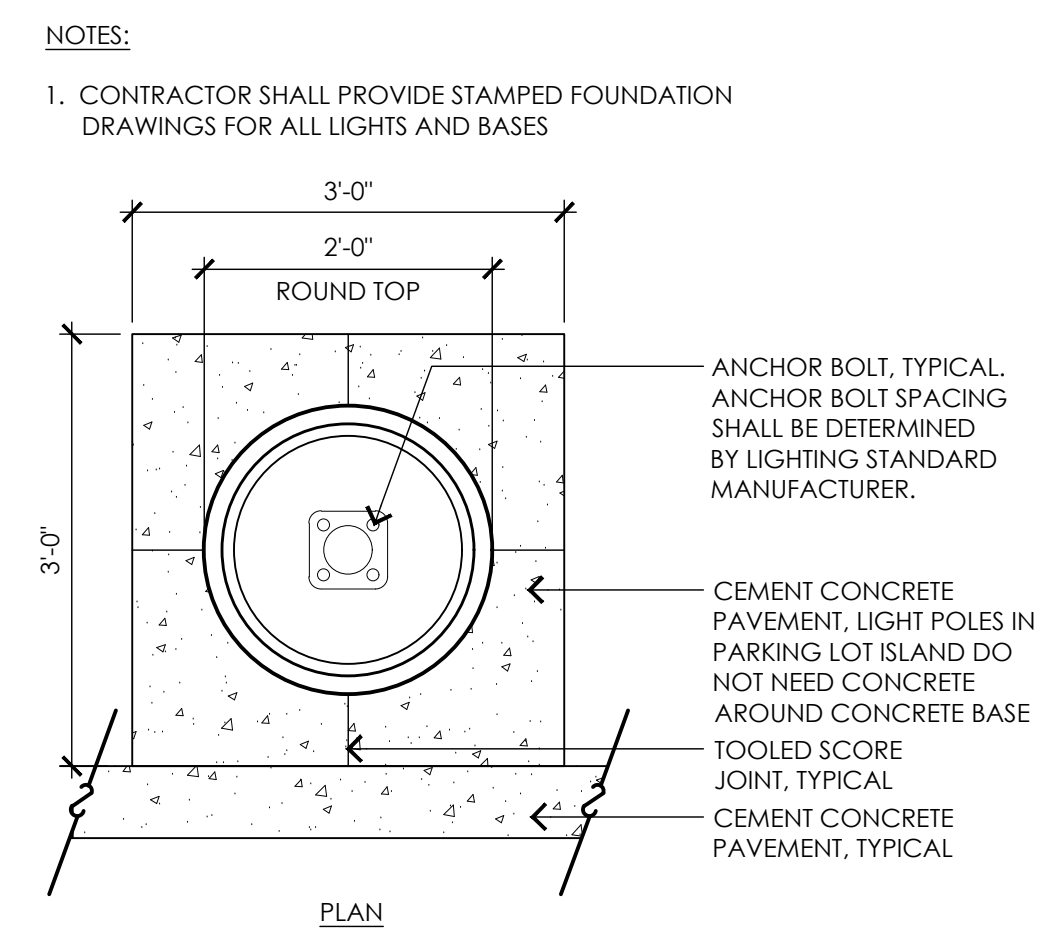
7 UNIT PAVERS
NOT TO SCALE



8 HANDICAP PARKING LAYOUT AND STRIPING
NOT TO SCALE



9 SITE LIGHTING POLE FOUNDATION
NOT TO SCALE



10 GRANITE BOUND POST
NOT TO SCALE

CONSULTANTS
 ARCHITECT - ARC
 GEOTECHNICAL ENGINEER - GEOTECHNICAL SERVICES, INC.
 WETLAND DELINEATION - EPSILON ASSOCIATES, INC.
 SURVEY - WELCH ASSOCIATES LAND SURVEYORS

THE COTTING SCHOOL
 Lexington, MA
 ATHLETIC ADDITION

Permitting Documents

REVISIONS:	
NO.	DESCRIPTION
1	08.12.19 NOI SUBMISSION
2	08.21.19 SITE PLAN REVIEW SUBMISSION
3	10.02.19 ADDITION OF DETAIL #10

SCALE: AS SHOWN
 PROJECT NO.: 18005.00
 FILE: 18005-L4.1-DET_1.dwg
 DRAWN: BPG
 CHECKED: EPM, MEB

SEAL:

 MEB
 10-2-19

SHEET TITLE:
 DETAIL SHEET I

SHEET NO:
L4.1