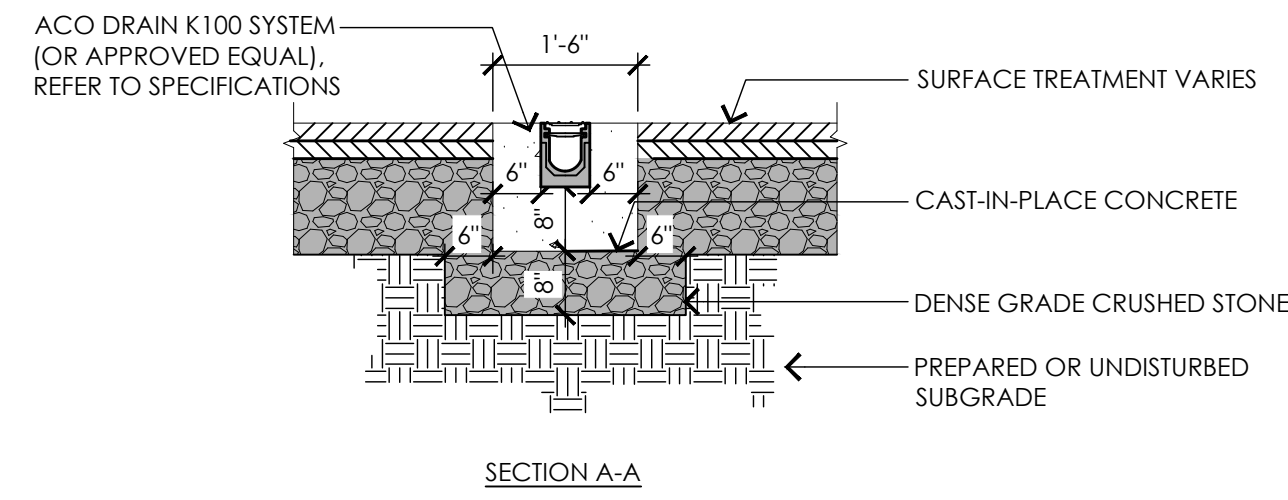
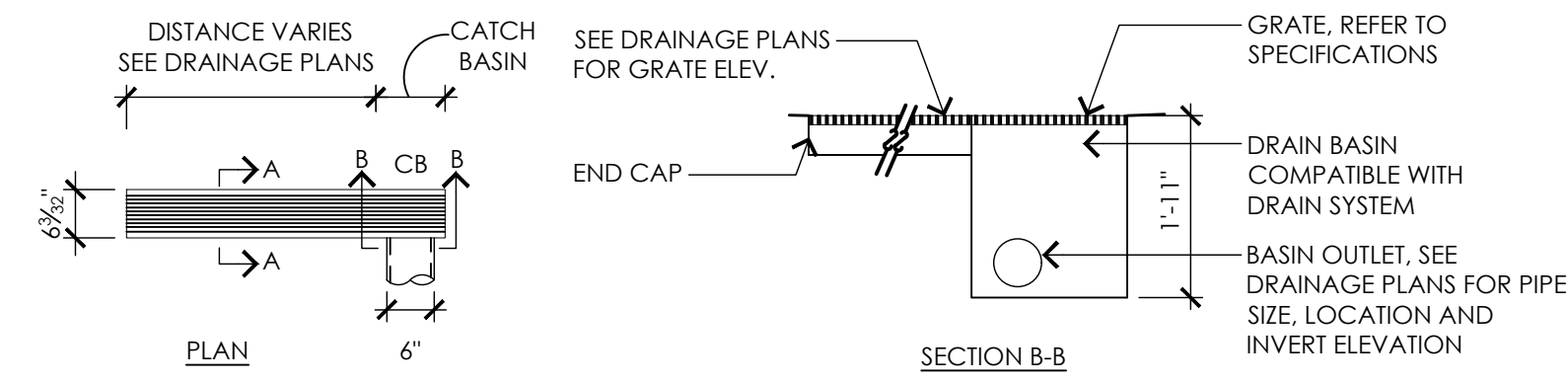
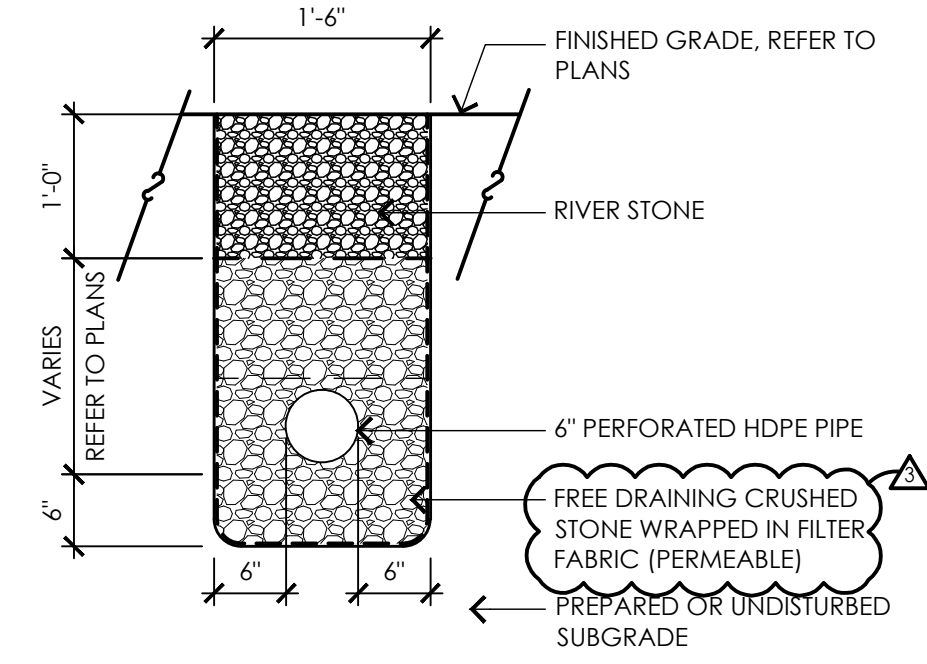


NOTES:

1. CONCRETE SHALL BE COMPRESSIVE STRENGTH 4000 PSI, TYPE II CEMENT.
2. CHANNEL DRAIN GRATE SHALL MEET AMERICANS WITH DISABILITY (ADA) REGULATIONS.



1 PREFORMED CHANNEL DRAIN
NOT TO SCALE



2 STONE DRAINAGE TRENCH
NOT TO SCALE

CONSULTANTS

- ARCHITECT -
ARC
- GEOTECHNICAL ENGINEER -
GEOTECHNICAL SERVICES, INC.
- WETLAND DELINEATION -
EPSILON ASSOCIATES, INC.
- SURVEY -
WELCH ASSOCIATES LAND SURVEYORS

THE COTTING SCHOOL
Lexington, MA
ATHLETIC ADDITION

Permitting Documents

REVISIONS:		
NO.	DATE	DESCRIPTION
1	08.12.19	NOI SUBMISSION
2	08.21.19	SITE PLAN REVIEW SUBMISSION
3	10.02.19	REVISED DETAIL #2

SCALE: AS SHOWN
PROJECT NO.: 18005.00
FILE: 18005-C-2.2-UT_DET.dwg
DRAWN: AEB
CHECKED: EPM, MEB

SEAL:

SHEET TITLE:
UTILITY DETAIL SHEET II

SHEET NO:
C2.4